



Illustrated Parts List

Model Series

294400

TYPE NUMBERS
0030 through 1282.

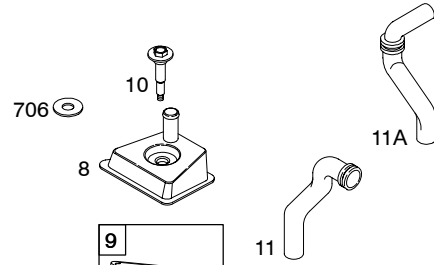
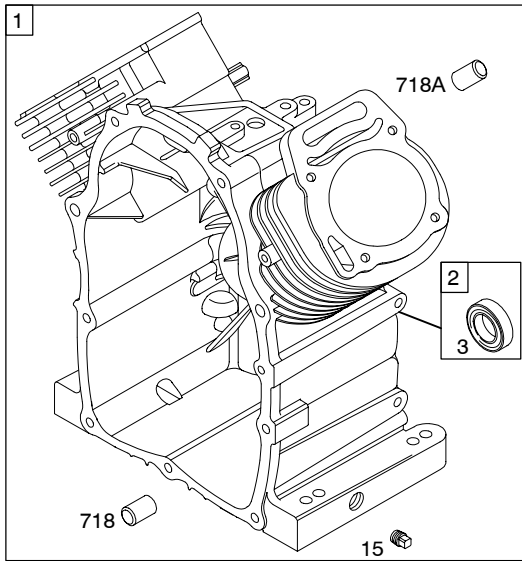
TABLE OF CONTENTS

Air Cleaners	7
Alternator	16
Blower Housing	13
Camshaft	2
Carburetor	6
Controls	11
Crankcase Cover	4
Crankshaft	2
Cylinder	2
Cylinder Head	3
Electric Starter	17 & 18
Exhaust System	8 & 9
Flywheel	14
Fuel Supply	10
Gasket Set - Engine	2
Gasket Set - Valve	3
Intake Manifold	4
Kit - Carburetor Overhaul	6
Lubrication	5
Piston, Rings, Connecting Rod	2
Rewind Starter	15
Shrouds	12
Valves	3

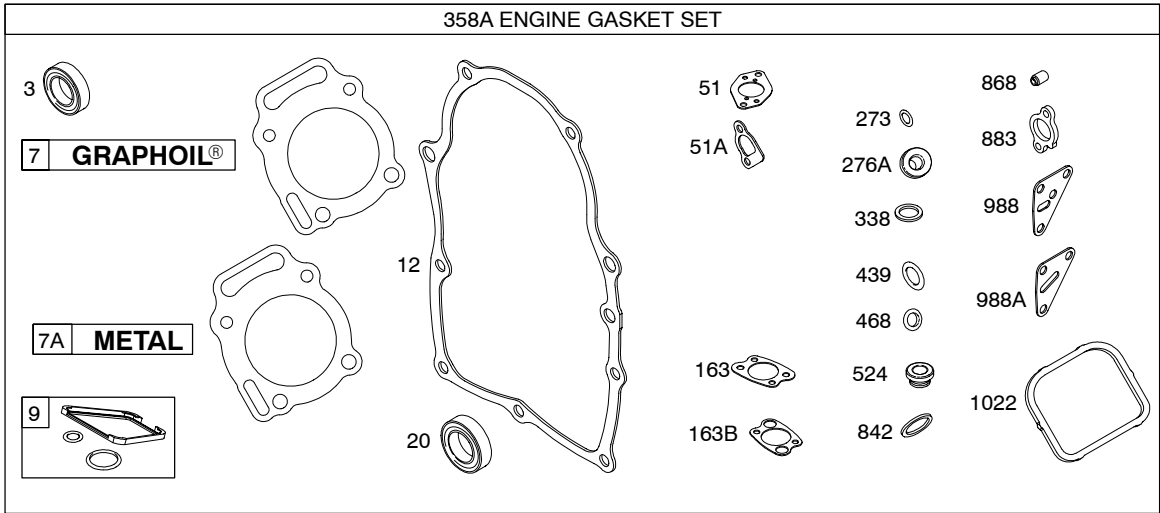
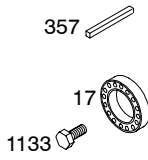
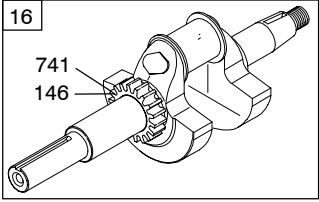
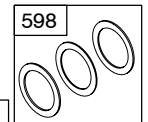
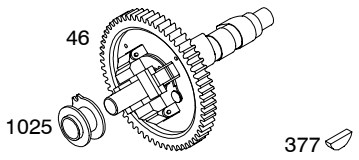
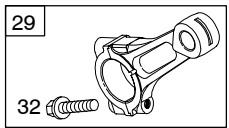
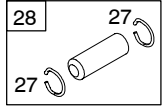
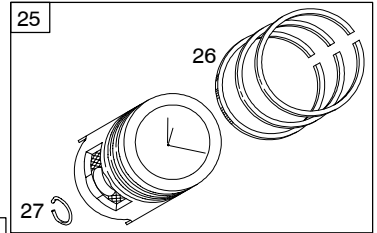
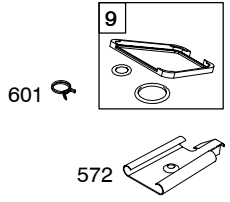
PRINTED IN U.S.A.

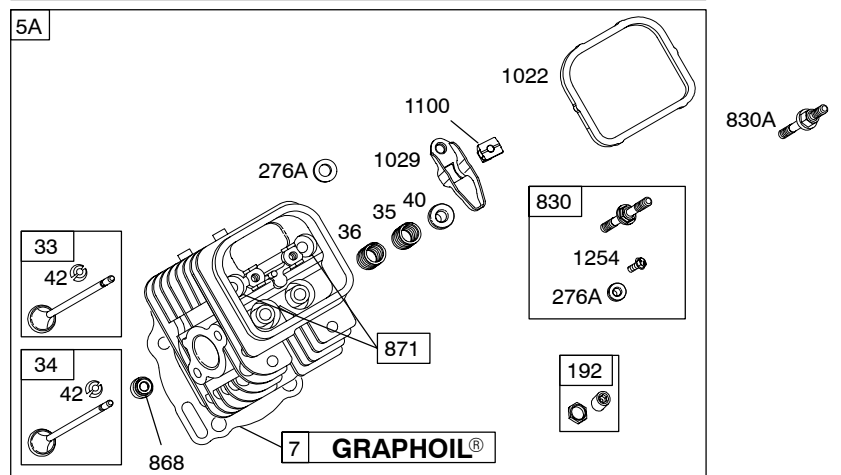
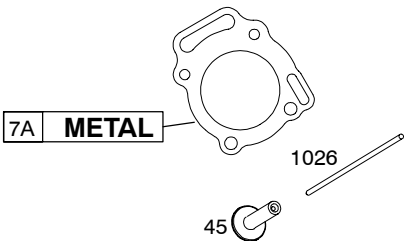
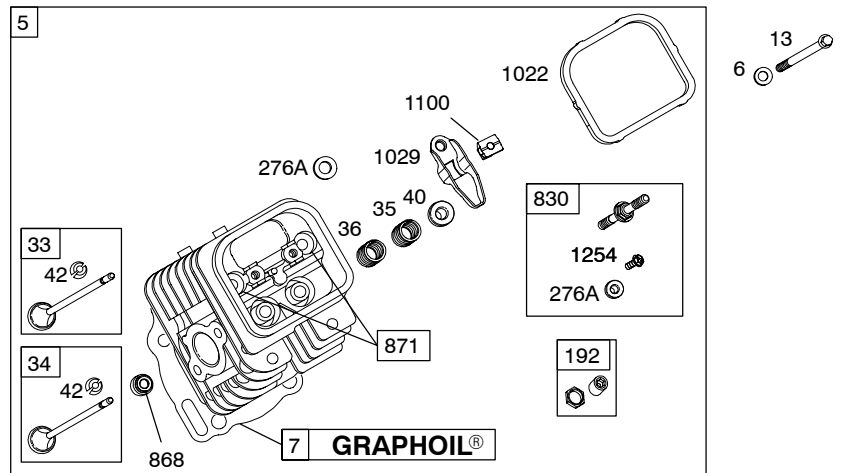
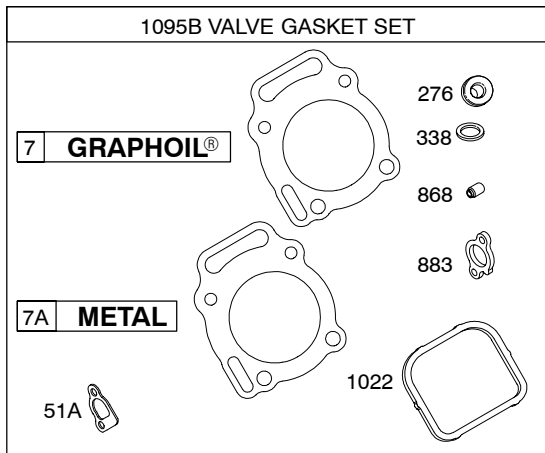
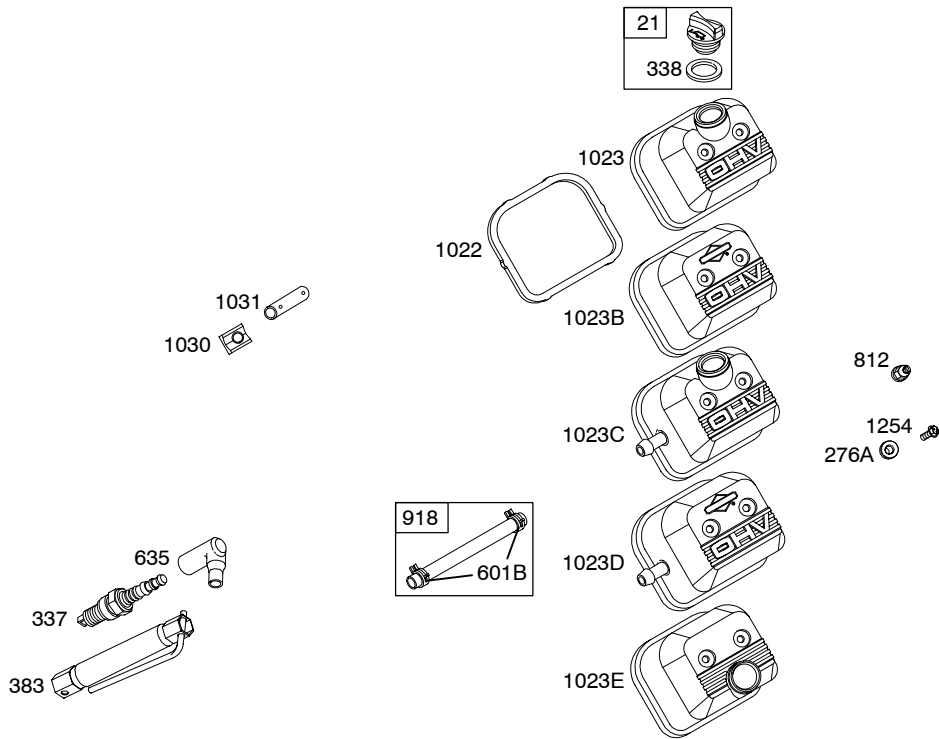


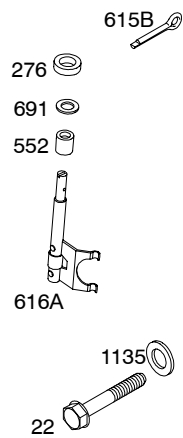
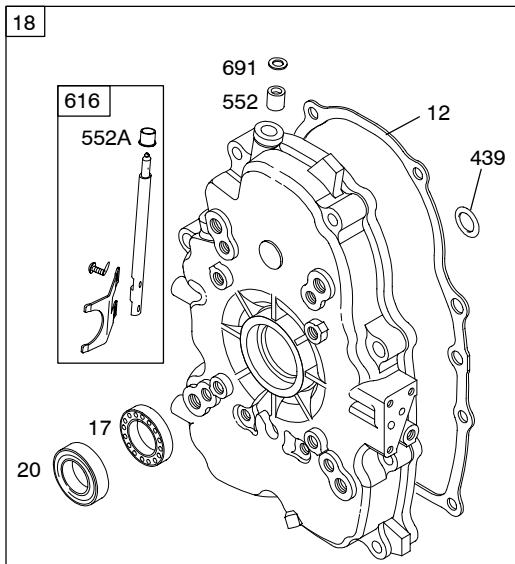
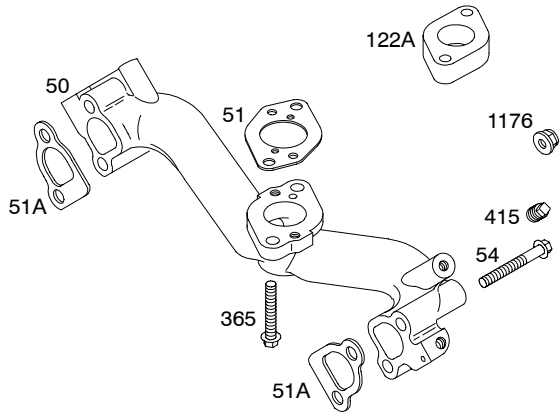
COPYRIGHT by BRIGGS & STRATTON CORPORATION
All rights reserved. No part of this material may be reproduced or transmitted, in any form or by any means, electronic or mechanical, including photocopying, recording or by any information storage and retrieval system, without permission in writing from Briggs & Stratton Corporation.

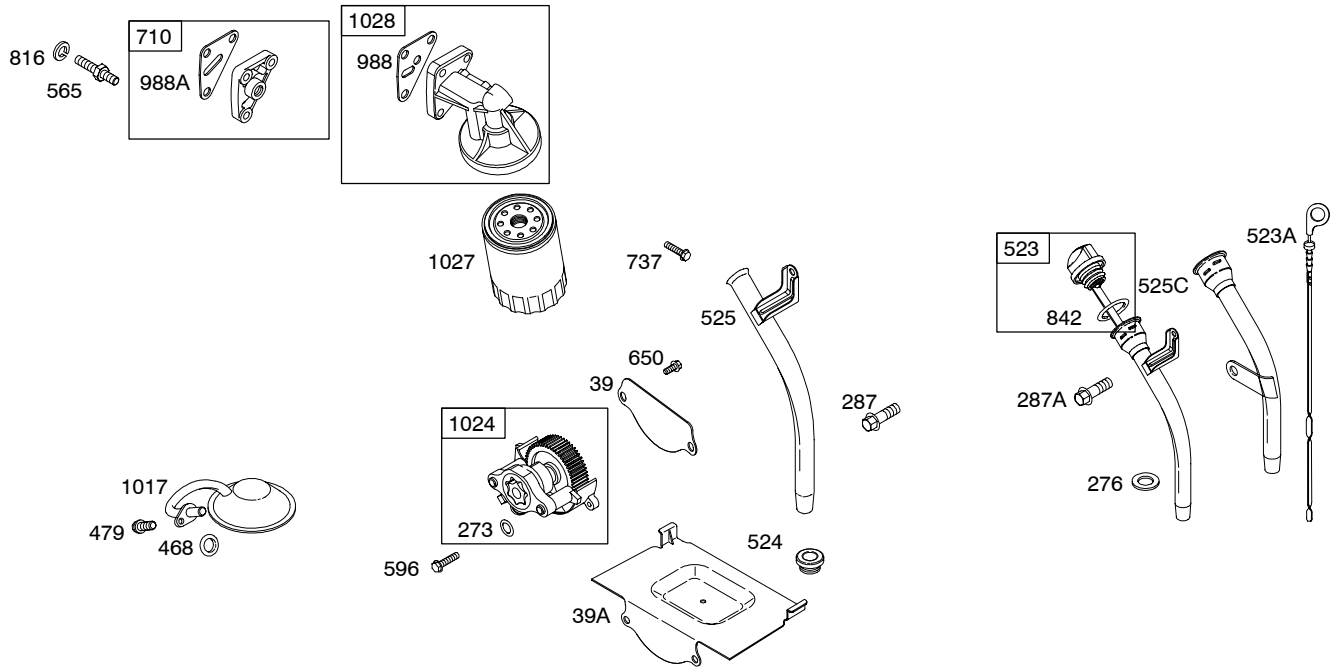


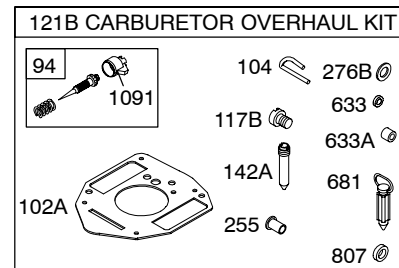
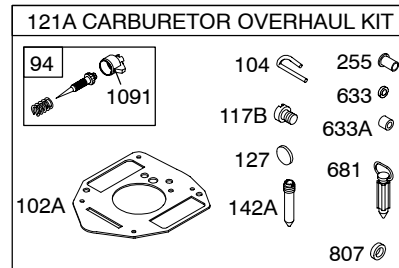
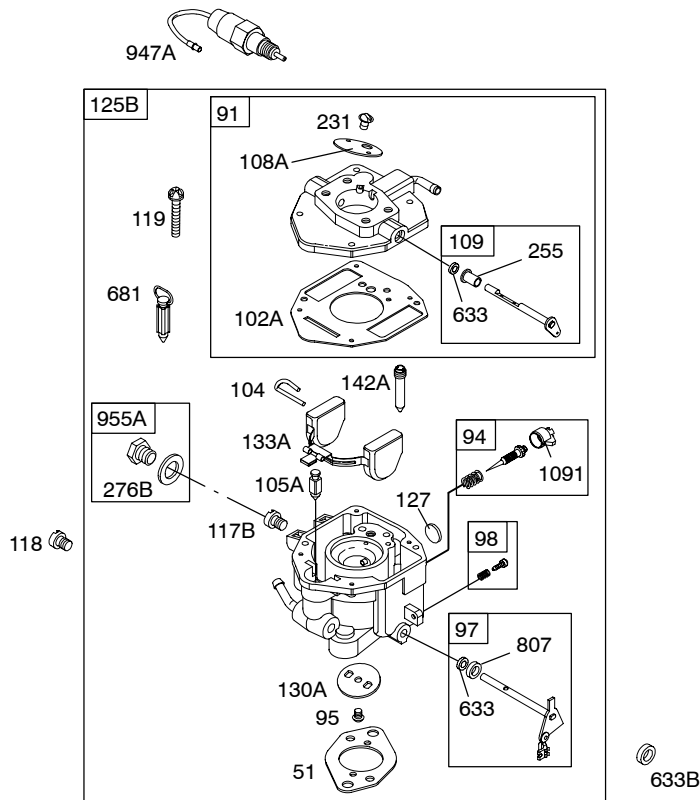
1058 OPERATORS MANUAL
1330 REPAIR MANUAL

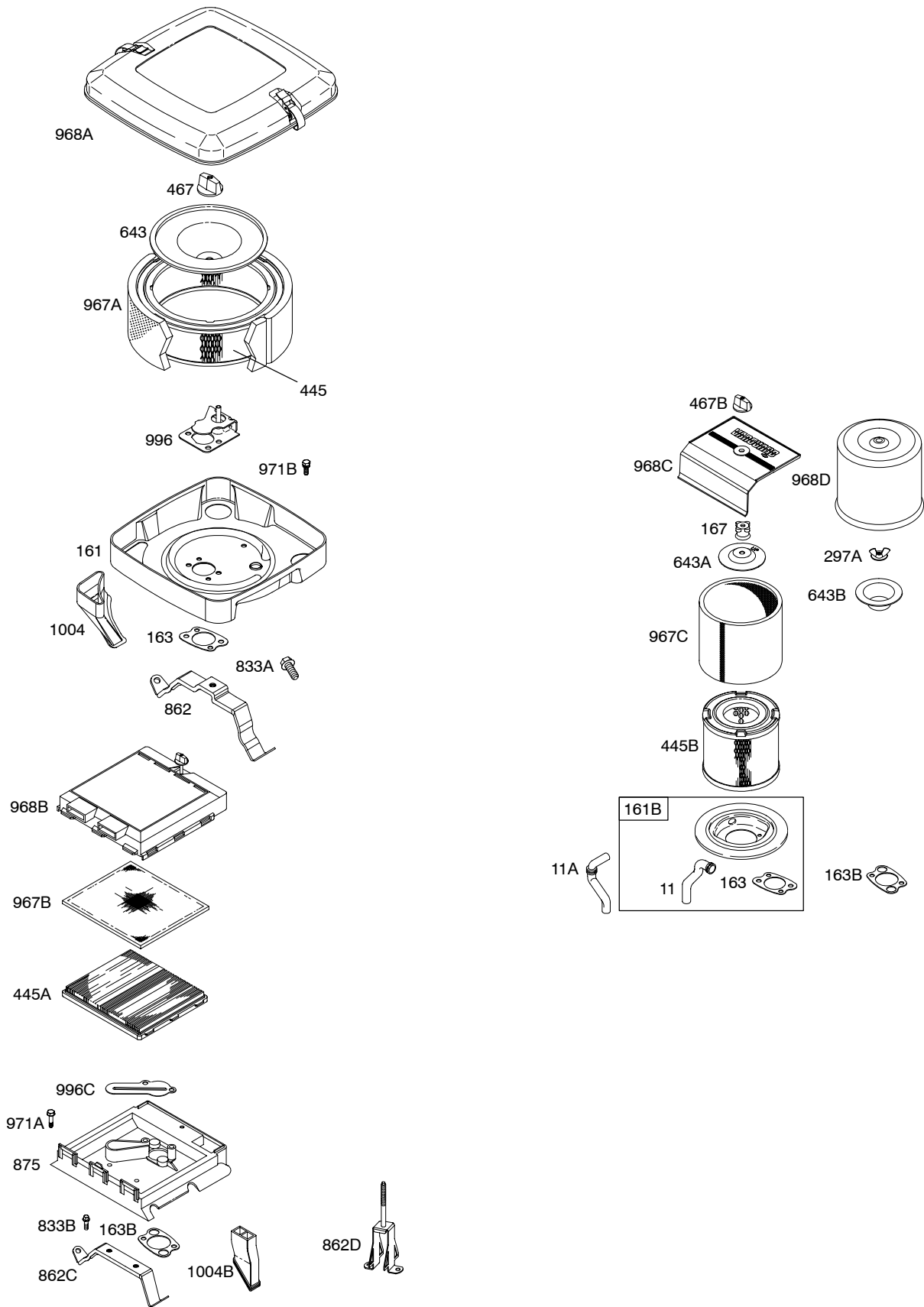


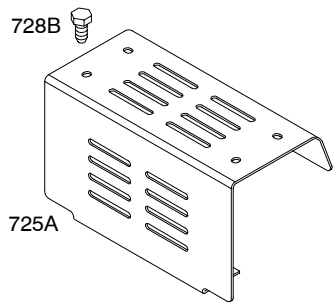
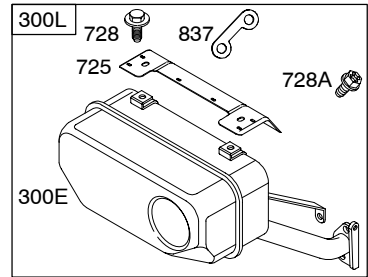
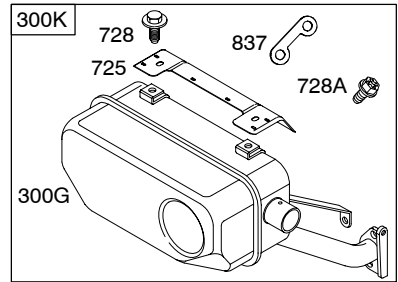
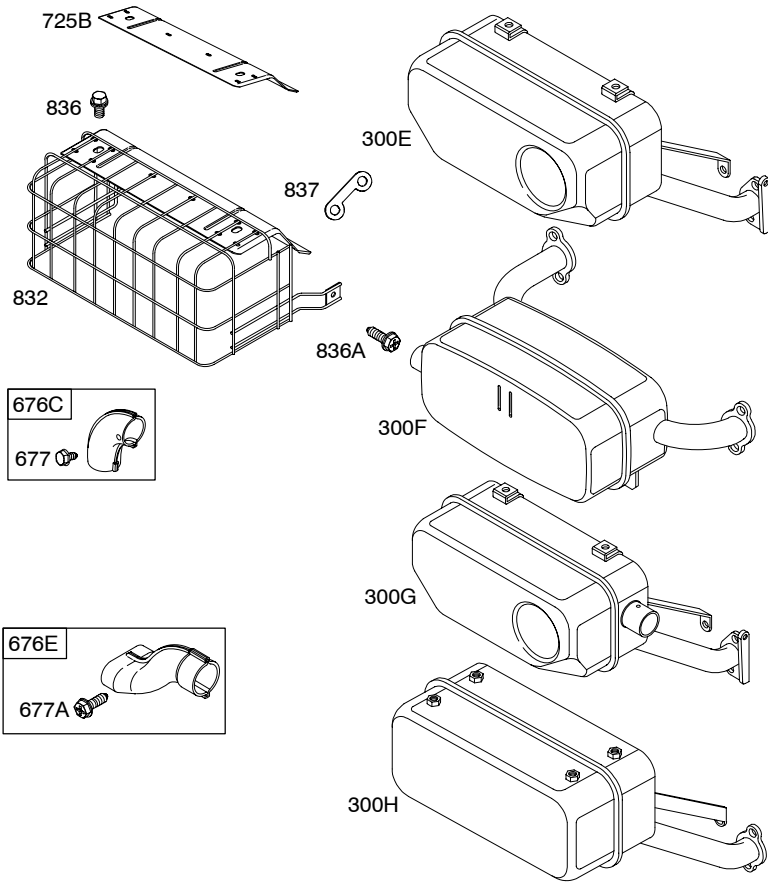


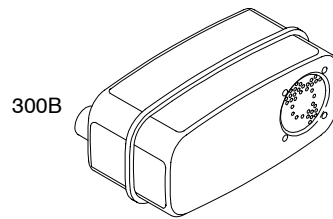
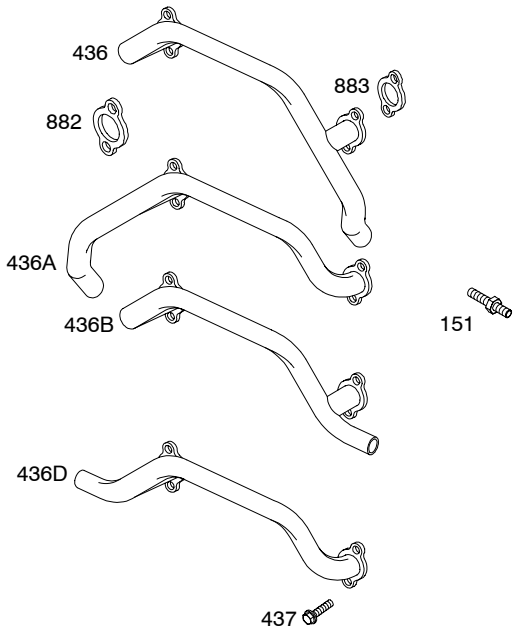
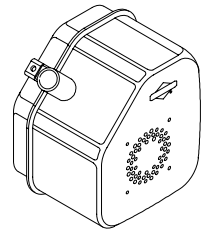
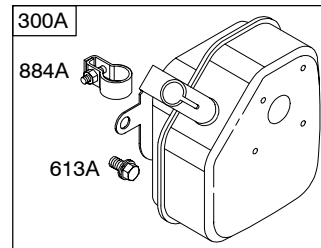
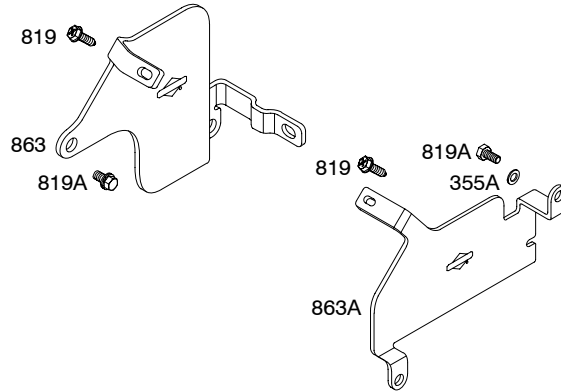
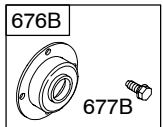
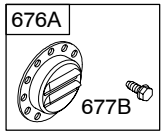
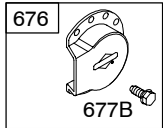
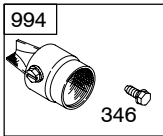




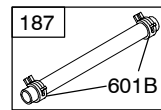
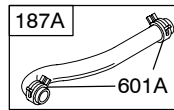
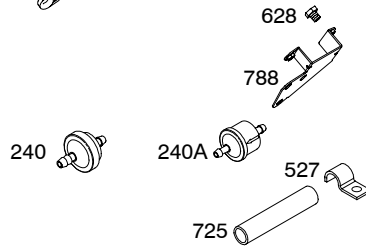
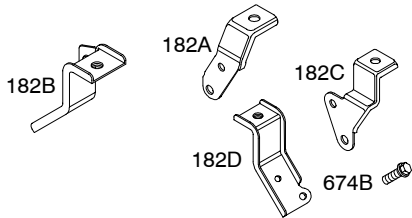
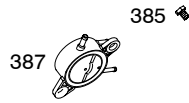
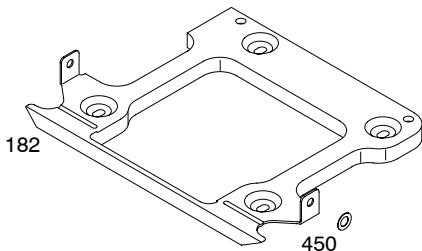
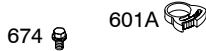
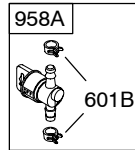
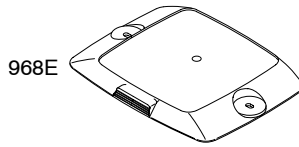
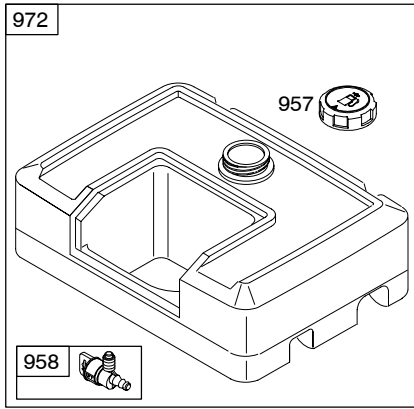




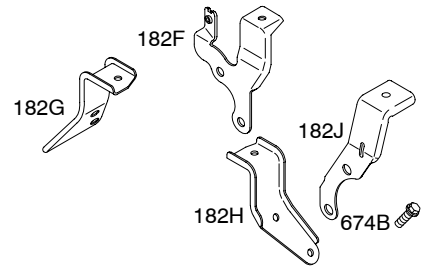
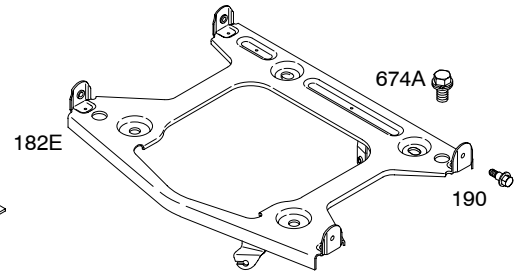
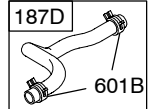
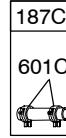
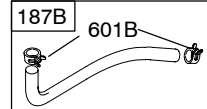
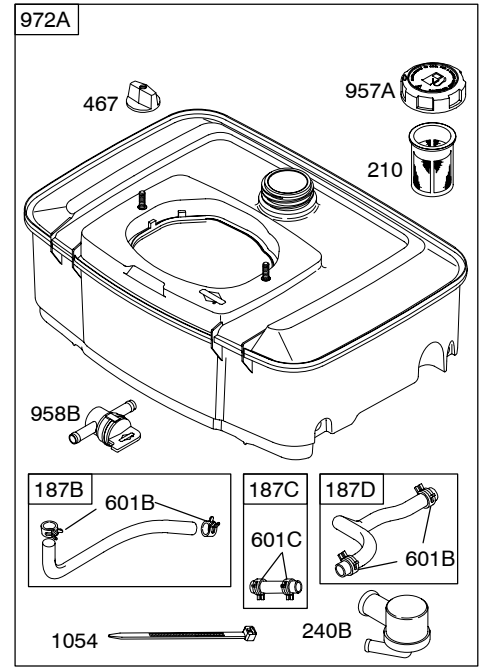


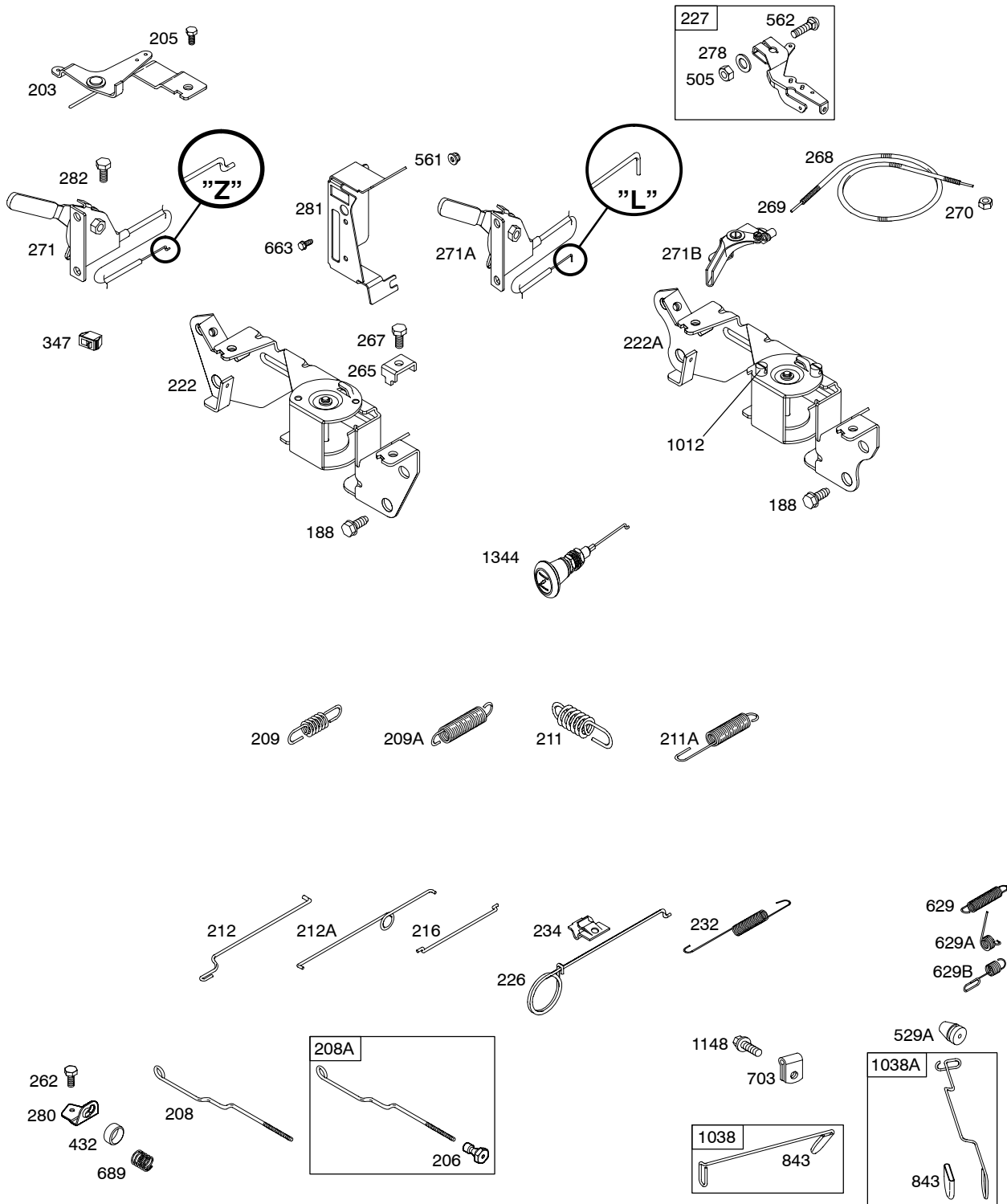


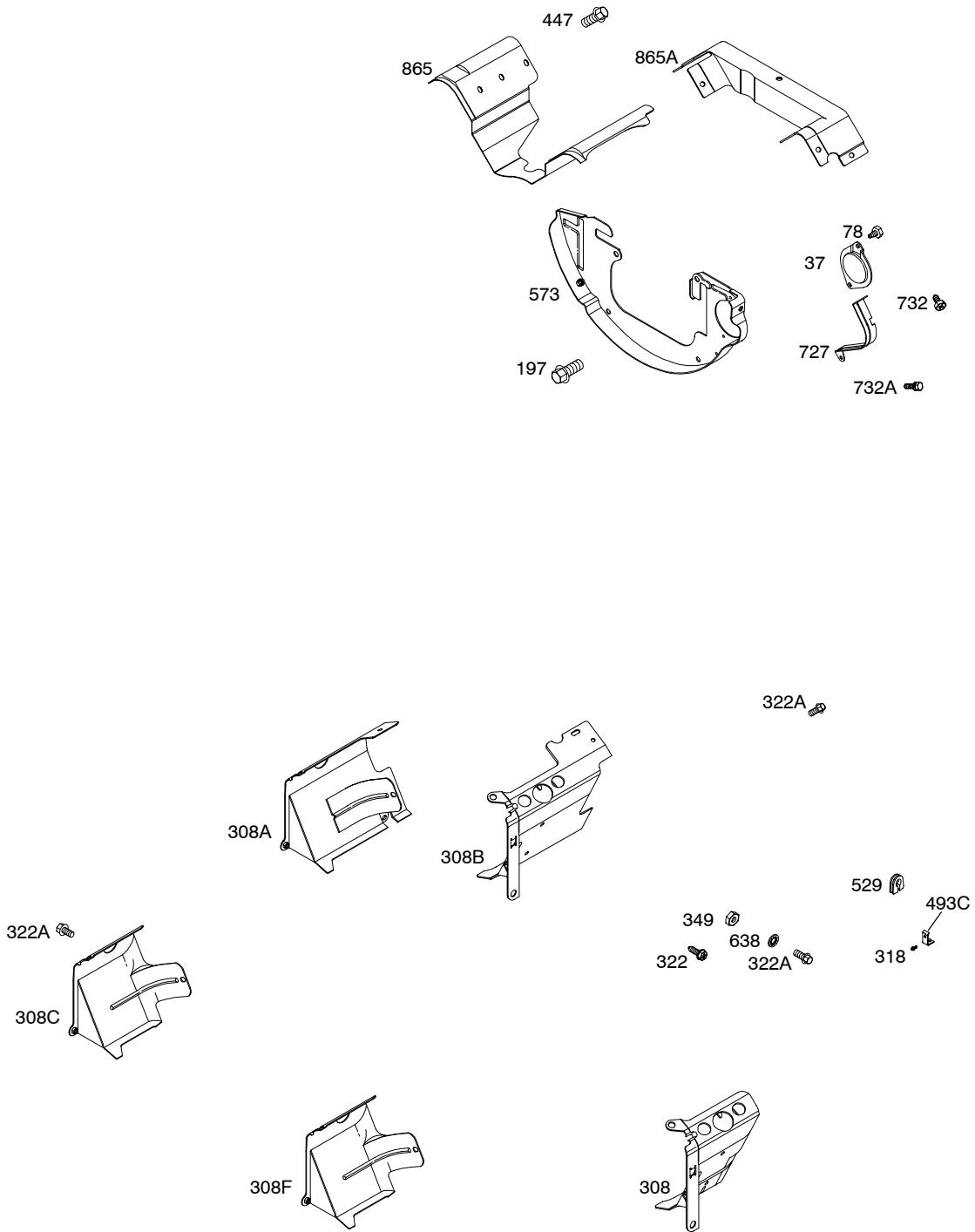
7 QUART



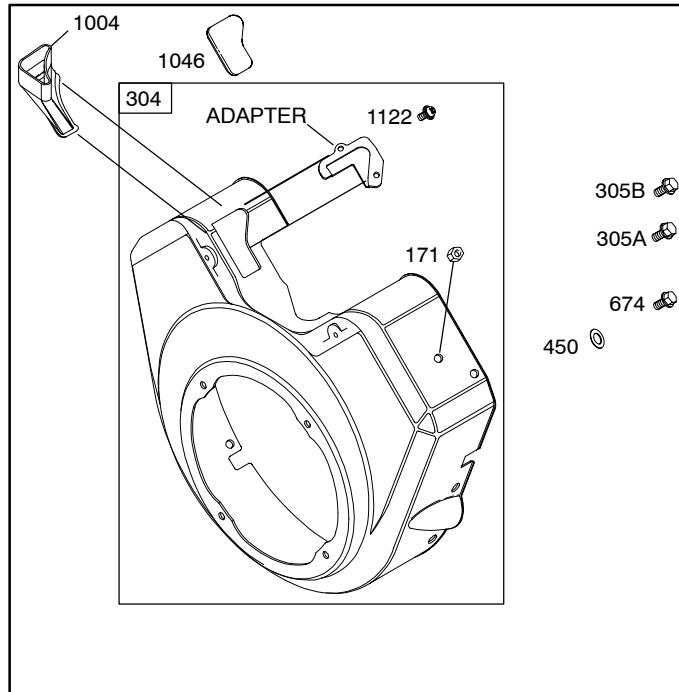
9 QUART

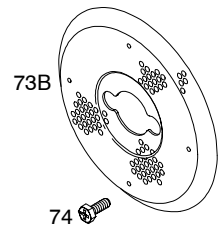
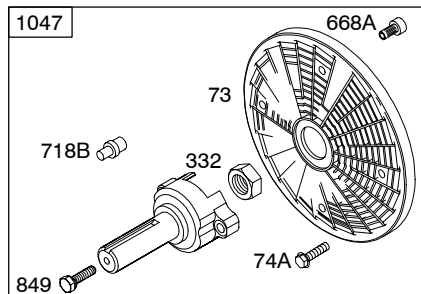
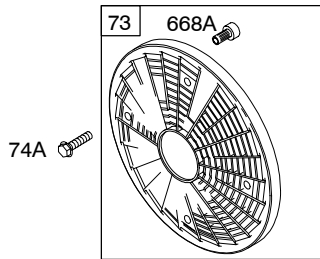
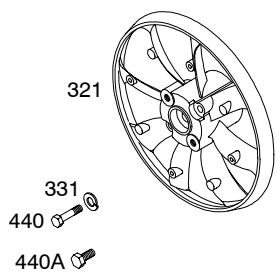
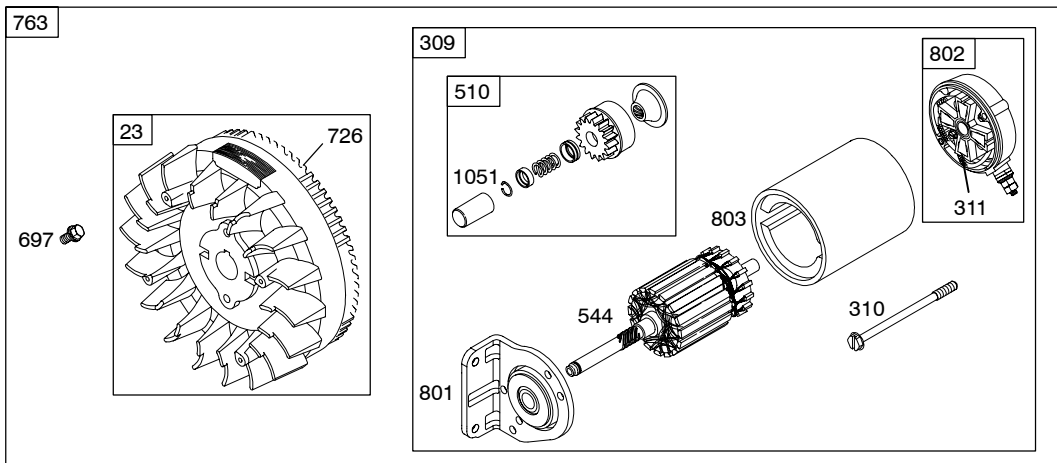
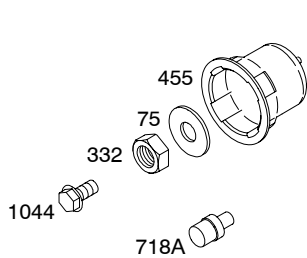
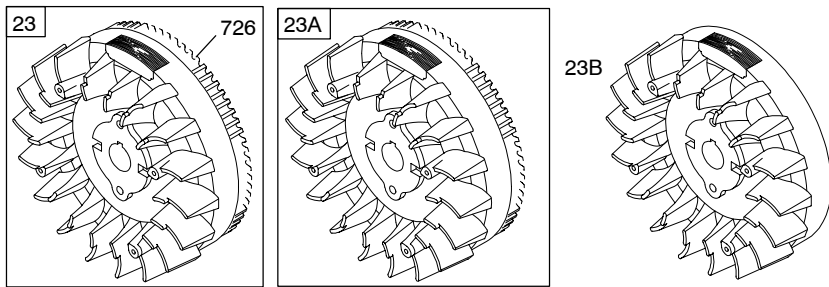


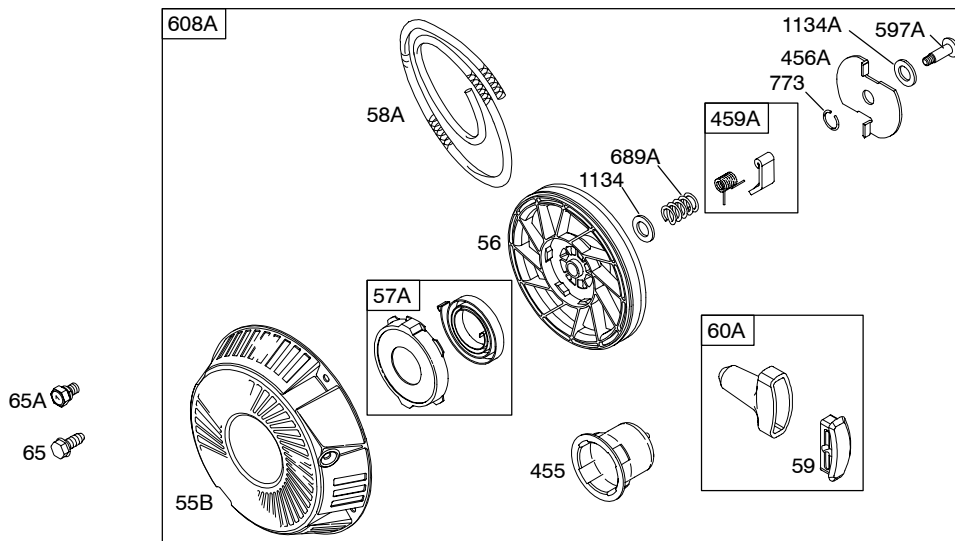
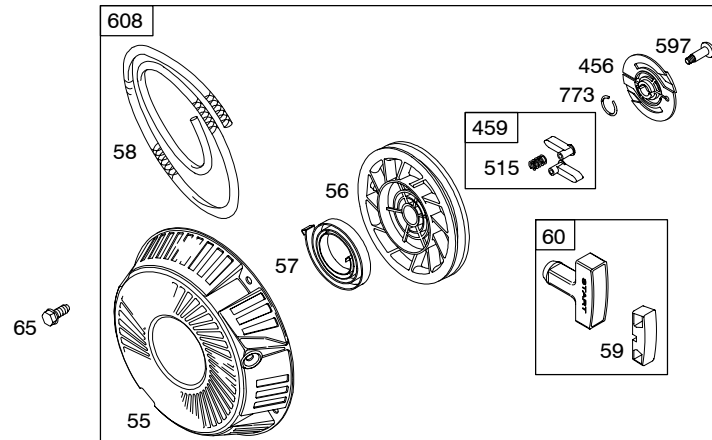




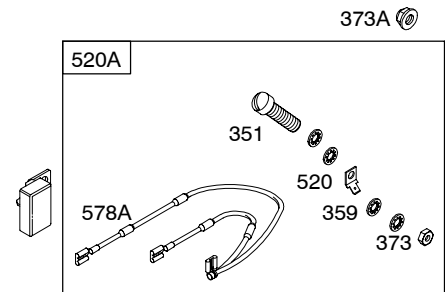
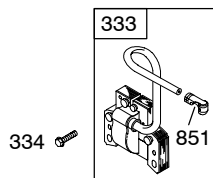
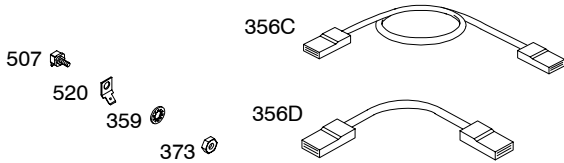
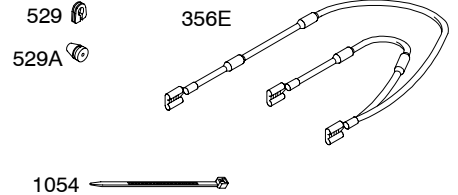
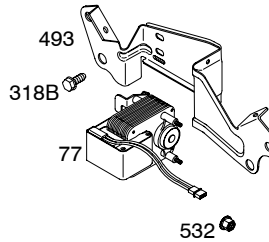
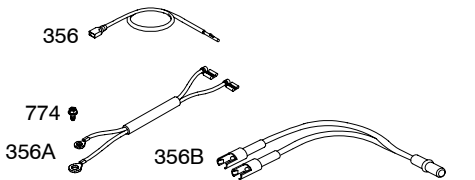
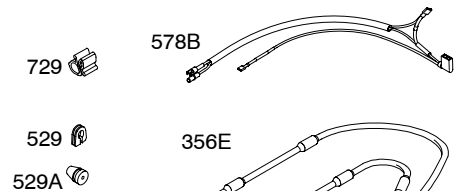
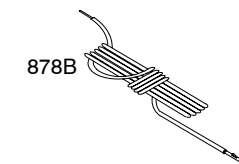
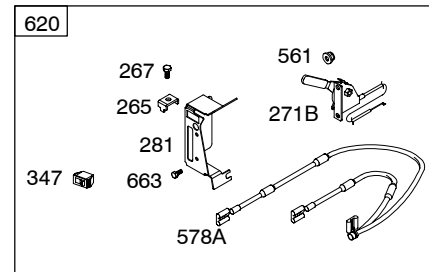
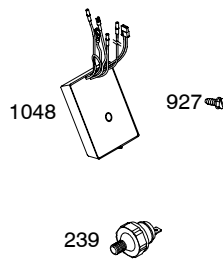
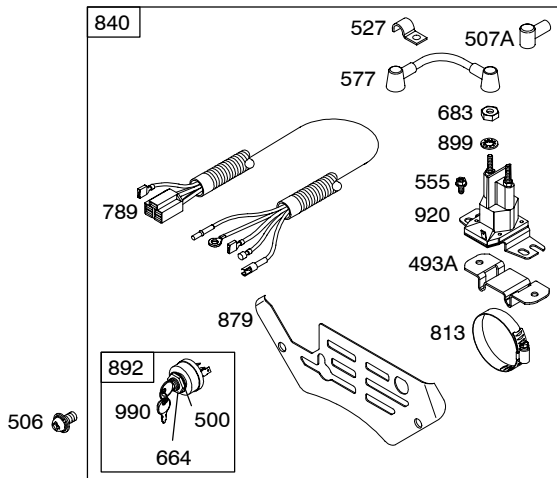
1036 EMISSIONS LABEL

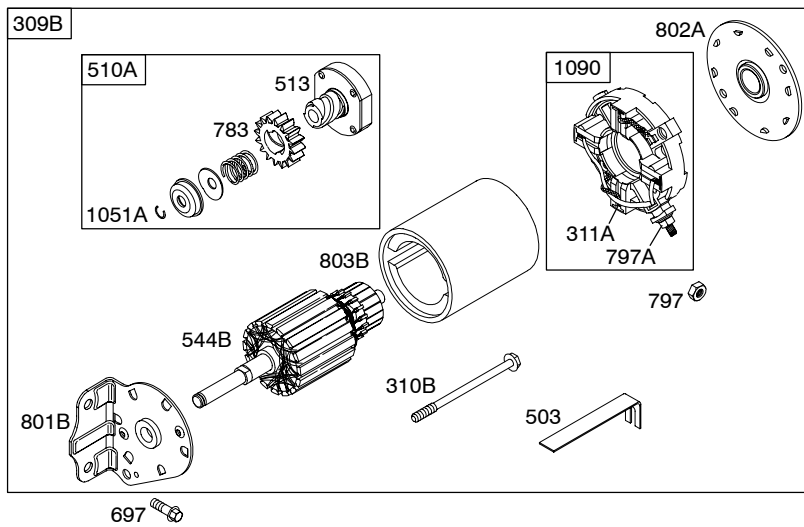
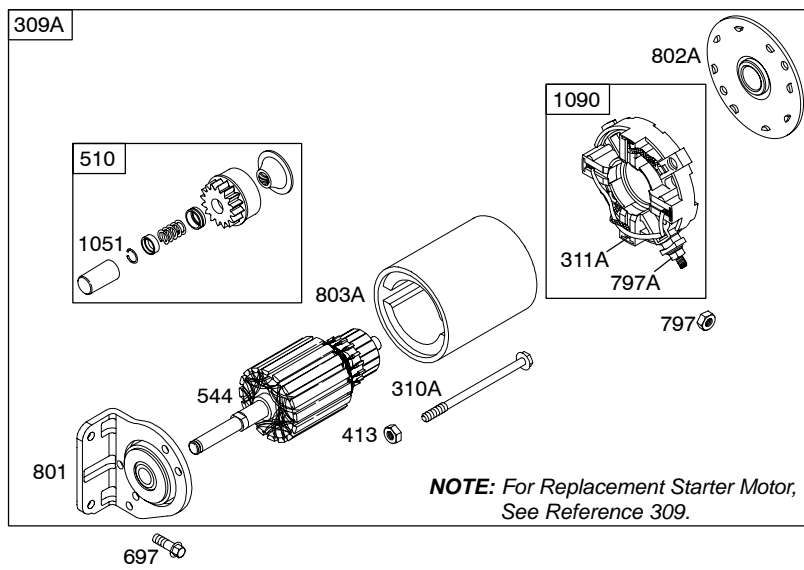
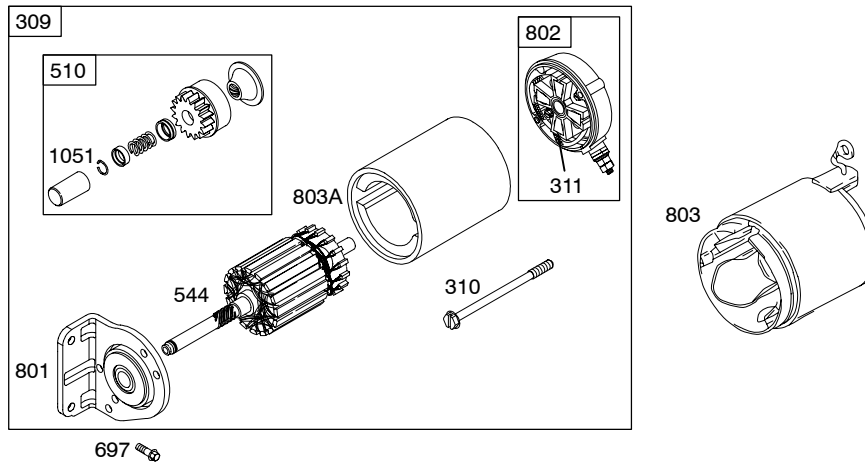


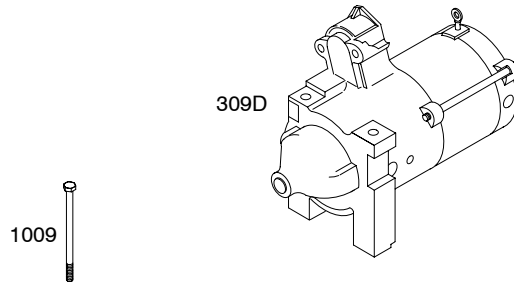
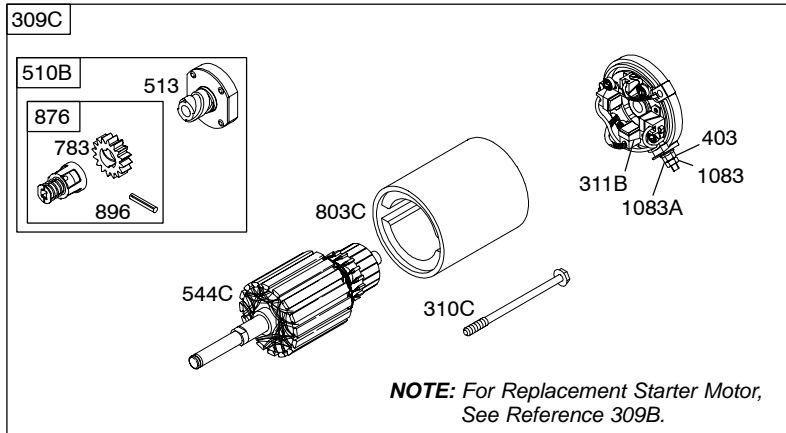




DUAL CIRCUIT		5 - 9 AMP		TRI CIRCUIT		10-16 AMP		20 AMP	
474B	1059	474C	1059	474C	1059	474D	1059	474E	1059
<p>NOTE: All stators use a No. 1119 mounting screw.</p>				 501A		 501		 501B	







REF. NO.	PART NO.	DESCRIPTION	REF. NO.	PART NO.	DESCRIPTION	REF. NO.	PART NO.	DESCRIPTION
1	692178	Cylinder Assembly (Used After Code Date 97043000). ----- Note ----- 807521 Cylinder Assembly (Used Before Code Date 97050100). 841081 Cylinder Assembly Used on Type No(s). 1222.	11	691556	Tube-Breather (Used After Code Date 96101000).			807745 Crankshaft (Used Before Code Date 97050100). Used on Type No(s). 0314, 0318, 0319, 0327, 0342, 0354, 0359, 0360, 0361, 0374, 0378, 0417, 0418, 0423, 0427, 0448, 0457, 0461, 1014, 1018, 1019, 1029, 1042, 1054, 1059, 1060, 1061, 1074, 1078, 1115, 1117, 1118, 1123, 1124, 1126, 1127, 1129, 1133, 1134, 1135, 1136, 1138, 1143, 1148, 1157, 1158, 1161, 1165, 1170, 1171, 1172, 1183, 1185, 1187, 1195, 1199, 1204, 1210, 1212, 1236, 1238.
2	808534	Kit-Bushing/Seal (Magneto Side) (Used After Code Date 99043000). ----- Note ----- 807687 Kit-Bushing/Seal (Magneto Side) (Used Before Code Date 99050100).	11A	806083s	Tube-Breather (Used Before Code Date 96101100).			
3	★805101s	Seal-Oil (Magneto Side)	12	★691684	Gasket-Crankcase			
5	809200	Head-Cylinder (Cylinder 1)	13	692059	Screw (Cylinder Head)			
5A	809201	Head-Cylinder (Cylinder 2)	15	690946	Plug-Oil Drain			
6	△805193	Washer (Cylinder Head) (Used Before Code Date 94050100).	16	692161	Crankshaft (Used After Code Date 97043000). ----- Note ----- 807589 Crankshaft (Used Before Code Date 97050100). 692162 Crankshaft (Used After Code Date 97043000). Used on Type No(s). 1025, 1077. 807590 Crankshaft (Used Before Code Date 97050100). Used on Type No(s). 0325, 0377, 1025, 1077.			692165 Crankshaft (Used After Code Date 97043000). Used on Type No(s). 1128, 1146, 1149, 1162, 1176, 1192, 1193, 1202, 1231.
7★	△806085s	Gasket-Cylinder Head (Graphoil) (Used After Code Date 96033100).			692163 Crankshaft (Used After Code Date 97043000). Used on Type No(s). 1018, 1019, 1029, 1042, 1059, 1074, 1078, 1115, 1123, 1124, 1126, 1127, 1129, 1133, 1134, 1135, 1138, 1148, 1161, 1165, 1170, 1171, 1172, 1183, 1185, 1187, 1195, 1199, 1204, 1210, 1212, 1219, 1236, 1238, 1254, 1256, 1257, 1258, 1259, 1267, 1274.			807806 Crankshaft (Used Before Code Date 97050100). Used on Type No(s). 0428, 0449, 0462, 1128, 1146, 1149, 1162, 1176, 1192, 1193, 1202.
7A	★△807986	Gasket-Cylinder Head (Metal) (Used Before Code Date 96040100).						692166 Crankshaft (Used After Code Date 97043000). Used on Type No(s). 1211.
8	808984	Breather Assembly						
9	★809094	Gasket-Breather						
10	690751	Screw (Breather Assembly) (Used After Code Date 90111400). ----- Note ----- 805194 Screw (Breather Assembly) (Used Before Code Date 90111500).						

★ Engine Gasket Set-Reference 358A

● Carburetor Overhaul Kit-Reference 121A or 121B

△ Gasket Set-Reference 1095B

294400

REF. NO.	PART NO.	DESCRIPTION	REF. NO.	PART NO.	DESCRIPTION	REF. NO.	PART NO.	DESCRIPTION
		807849 Crankshaft (Used Before Code Date 97050100). Used on Type No(s). 1211.	23B	690889	Flywheel (Rewind Starter)	46	691557	Camshaft ----- Note -----
		807590 Crankshaft Used on Type No(s). 0325, 0377, 1025, 1077.	25	807619	Piston Assembly (Standard) ----- Note -----			692157 Camshaft Used on Type No(s). 0327, 1201, 1210, 1256, 1259.
		807806 Crankshaft Used on Type No(s). 0428, 0449, 0462.	26	807620	807809 Piston Assembly (.020" Oversize)	50	690754	Manifold-Intake
17	690752	Bearing-Ball			----- Note -----	51	★691694	Gasket-Intake (Manifold To Carburetor)
18	808847	Cover-Crankcase ----- Note -----			807810 Ring Set (.020" Oversize)	51A	★△692035	Gasket-Intake (Manifold to Head)
		808850 Cover-Crankcase Used on Type No(s). 1211.	27	690683	Lock-Piston Pin	54	690676	Screw (Intake Manifold)
		808508 Cover-Crankcase Used on Type No(s). 0327, 1201, 1210, 1256, 1259.	28	807621	Pin-Piston (Standard)	55	691568	Housing-Rewind Starter
20	★805049s	Seal-Oil (PTO Side)	29	807900s	Rod-Connecting (Standard) ----- Note -----	55B	492193	Housing-Rewind Starter
21	809500	Cap-Oil Fill			807803 Rod-Connecting (.020" Undersize)	56	692085	Pulley-Starter
22	807362	Screw (Crankcase Cover/Sump)	32	690698	Screw (Connecting Rod)	57	692086	Spring-Rewind Starter
23	808766	Flywheel (Steel Ring Gear) ----- Note -----	33	807681	Valve-Exhaust	57A	492194	Spring-Rewind Starter
		808774 Flywheel (Steel Ring Gear) Used on Type No(s). 0460, 1122, 1132, 1142, 1145, 1146, 1189, 1211, 1231, 1245, 1256, 1259, 1263.	34	807680	Valve-Intake	58	66574	Rope-Starter (Cut To Required Length)
		808770 Flywheel (Steel Ring Gear) Used on Type No(s). 1155, 1261.	35	692084	Spring-Valve (Intake) (Used After Code Date 94011700).	58A	695002	Rope-Starter (Cut To Required Length)
23A		Flywheel (For Replacement Flywheel, Order Part Number 808190)	36	692084	Spring-Valve (Exhaust) (Used After Code Date 94011700).	59	805957	Insert-Grip
			37	841309	Guard-Flywheel (Aluminum) ----- Note -----	60	808167	Grip-Starter Rope
					690715 Guard-Flywheel (Red)	60A	490652	Grip-Starter Rope
			39	690745	Deflector-Oil	65	691982	Screw (Rewind Starter)
			39A	808821	Deflector-Oil	65A	841233	Screw (Rewind Starter) (Used After Code Date 03120900).
			40	692058	Retainer-Valve	73	494439	Screen-Rotating (Flush)
			42	807683	Keeper-Valve	73B	690478	Screen-Rotating
			45	690977	Tappet-Valve	74	691655	Screw (Rotating Screen)
						74A	691647	Screw (Rotating Screen)
						75	691490	Washer (Flywheel)
						77	690819	Motor-Servo
						78	690688	Screw (Flywheel Guard)
						91	807919	Body-Upper Carburetor
						94	●808257	Kit-Idle Mixture

★ Included in Engine Gasket Set-Ref. No. 358A.

● Included in Carburetor Overhaul Kit-Ref. No. 121A or 121B.

△ Included in Valve Gasket Set-Ref. No. 1095B.

REF. NO.	PART NO.	DESCRIPTION	REF. NO.	PART NO.	DESCRIPTION	REF. NO.	PART NO.	DESCRIPTION								
95	690718	Screw (Throttle Valve)	125B	809008	Carburetor (Pump Feed)	127	690727	Plug-Welch								
97	809007	Shaft-Throttle			----- Note -----	130A	690726	Valve-Throttle								
98	808177	Kit-Idle Speed			809016 Carburetor (Pump Feed)	133A	806961	Float-Carburetor Used on Type No(s).								
102A	692077	Gasket-Carburetor Body			With Solenoid) Used on Type No(s).			0481, 1018, 1019, 1025, 1026, 1042, 1046, 1074, 1075, 1077, 1102, 1123, 1135, 1146, 1161, 1176, 1197, 1200, 1219, 1220, 1245, 1246, 1247, 1255, 1256, 1257, 1258, 1259, 1263, 1267, 1271, 1278, 1281.								
104	690723	Pin-Float Hinge			809009 Carburetor (Pump Feed)			142A	690725	Nozzle-Carburetor (Standard)						
105A	805620	Valve-Float Needle (Gravity Feed)			(Used After Code Date 00073100). Used on Type No(s).			146	691639	Key-Timing						
108A	690719	Valve-Choke			0414, 1028, 1064, 1100, 1110, 1114, 1145, 1175, 1196, 1200, 1205, 1252, 1271.			151	841185	Stud (Exhaust Manifold) Used on Type No(s).						
109	809096	Shaft-Choke			808295 Carburetor (Pump Feed)					1281, 1282.						
117B	806652	Jet-Main (Standard) (Used After Code Date 99033000). ----- Note ----- 690861 Jet-Main (Standard) (Used Before Code Date 99033100). 690741 Jet-Main (Standard) Used on Type No(s). 0478, 1155, 1178, 1261.			(Used Before Code Date 00080100). Used on Type No(s).			161	691561	Base-Air Cleaner (Metal) ----- Note ----- 842830 Base-Air Cleaner (Metal) Used on Type No(s). 0414, 0478, 1114, 1155, 1178.						
		118	842238	Jet-Main (High Altitude) ----- Note ----- 842314 Jet-Main (High Altitude) Used on Type No(s). 0478, 1155, 1178, 1261.						161B	808414	Base-Air Cleaner (Metal)				
				119	690720	Screw (Upper To Lower Carburetor Body)					163	692081	Gasket-Air Cleaner			
						121A	809020	Kit-Carburetor Overhaul (Used After Code Date 00073100). Used on Type No(s). 0478, 1155, 1178.			163B	692052	Gasket-Air Cleaner			
								121B	809021	Kit-Carburetor Overhaul		167	692297	Seal-Air Cleaner Nut		
										122A	690691	Spacer-Carburetor		171	810056	Nut (Air Cleaner)
													182	492317	Bracket-Fuel Tank	
													182A	690778	Bracket-Fuel Tank	
													182B	690779	Bracket-Fuel Tank	
													182C	690780	Bracket-Fuel Tank	
													182D	690781	Bracket-Fuel Tank	
													182E	841601	Bracket-Fuel Tank	
													182F	691520	Bracket-Fuel Tank	
													182G	841600	Bracket-Fuel Tank	

★ Engine Gasket Set-Reference 358A

● Carburetor Overhaul Kit-Reference 121A or 121B

△ Gasket Set-Reference 1095B

294400

REF. NO.	PART NO.	DESCRIPTION	REF. NO.	PART NO.	DESCRIPTION	REF. NO.	PART NO.	DESCRIPTION
182H	691524	Bracket-Fuel Tank		691507	Spring-Governor	210	691370	Strainer-Fuel
182J	691525	Bracket-Fuel Tank			Used on Type No(s). 0326, 0414, 0478, 1026, 1114, 1155, 1178, 1200.	211	692069	Spring-Governed Idle
187	791766	Line-Fuel (Used After Code Date 05063000). ----- Note -----		690710	Spring-Governor Used on Type No(s). 0460, 0480, 0481.			----- Note -----
		691050 Line-Fuel (Used Before Code Date 05070100).		692071	Spring-Governor Used on Type No(s). 0364, 1028, 1064, 1261.			692068 Spring-Governed Idle Used on Type No(s). 0342, 0378, 0448, 1042, 1078, 1148, 1219, 1220, 1257, 1258, 1259.
187A	791801	Line-Fuel (Molded) (Used After Code Date 05063000). ----- Note -----		691508	Spring-Governor Used on Type No(s). 0040, 0340, 0432, 0449, 1132, 1146, 1149, 1167, 1176, 1203, 1241, 1269.			691505 Spring-Governed Idle Used on Type No(s). 0326, 0414, 1026, 1114, 1155, 1178.
		691049 Line-Fuel (Molded) (Used Before Code Date 05070100).		692072	Spring-Governor Used on Type No(s). 0422, 0462, 1162, 1163, 1175, 1181, 1192, 1202, 1231, 1249, 1250, 1252.	211A	690707	Spring-Governed Idle Used on Type No(s). 0314, 0318, 0319, 0354, 0359, 0360, 0361, 0374, 0417, 0418, 0423, 0427, 0457, 0461, 1014, 1018, 1019, 1029, 1054, 1059, 1060, 1061, 1074, 1115, 1117, 1118, 1123, 1124, 1126, 1127, 1129, 1133, 1134, 1135, 1136, 1138, 1143, 1157, 1158, 1161, 1165, 1170, 1171, 1172, 1183, 1185, 1187, 1195, 1199, 1204, 1211, 1212, 1236, 1238, 1254, 1267, 1274.
187B	692107	Line-Fuel		691832	Spring-Governor Used on Type No(s). 0327.			
187C	692106	Line-Fuel		209A	690709			
187D	692108	Line-Fuel			Spring-Governor Used on Type No(s). 0314, 0318, 0319, 0354, 0359, 0360, 0361, 0374, 0417, 0418, 0423, 0427, 0457, 0461, 1014, 1018, 1019, 1029, 1054, 1059, 1060, 1061, 1074, 1115, 1117, 1118, 1123, 1124, 1126, 1127, 1129, 1133, 1134, 1135, 1136, 1138, 1143, 1157, 1158, 1161, 1165, 1170, 1171, 1172, 1183, 1185, 1187, 1195, 1199, 1204, 1211, 1212, 1236, 1238, 1254, 1267, 1274.			
188	692056	Screw (Control Bracket)						
190	692199	Screw (Fuel Tank)						
192	807623	Adjuster-Rocker Arm						
203	690923	Crank-Bell						
205	692083	Screw (Bell Crank)						
206	691244	Nut-Governor Adjusting (Used After Code Date 96033100).						
208	691549	Rod-Governor Control (Used After Code Date 96033100).	209A	690709	Spring-Governor Used on Type No(s). 0314, 0318, 0319, 0354, 0359, 0360, 0361, 0374, 0417, 0418, 0423, 0427, 0457, 0461, 1014, 1018, 1019, 1029, 1054, 1059, 1060, 1061, 1074, 1115, 1117, 1118, 1123, 1124, 1126, 1127, 1129, 1133, 1134, 1135, 1136, 1138, 1143, 1157, 1158, 1161, 1165, 1170, 1171, 1172, 1183, 1185, 1187, 1195, 1199, 1204, 1211, 1212, 1236, 1238, 1254, 1267, 1274.			
208A	808453	Rod-Governor Control (Used Before Code Date 96040100).						
209	692070	Spring-Governor ----- Note -----						
		691506 Spring-Governor Used on Type No(s). 0342, 0378, 0448, 1042, 1078, 1148, 1219, 1220, 1257, 1258.						
						212	690712	Link-Throttle
						212A	691519	Link-Throttle
						216	690705	Link-Choke
						222	808454	Bracket-Control (Used With Control Lever And/Or Wire With "Z" Formed End)

★ Included in Engine Gasket Set-Ref. No. 358A.

△ Included in Valve Gasket Set-Ref. No. 1095B.

● Included in Carburetor Overhaul Kit-Ref. No. 121A or 121B.

REF. NO.	PART NO.	DESCRIPTION	REF. NO.	PART NO.	DESCRIPTION	REF. NO.	PART NO.	DESCRIPTION
222A	690918	Bracket-Control (Used With Control Lever And/Or Wire With "L" Formed End) ----- Note ----- 691570 Bracket-Control Used on Type No(s). 0414, 0478, 1114, 1155, 1178.	276A	●807085	Washer-Sealing (Used After Code Date 01120200). ----- Note ----- 691766 Washer-Sealing (Used Before Code Date 01120300).	304	808408	Housing-Blower (Black)(With Weld Nut)(For Metal Air Cleaner Base) ----- Note ----- 808055 Housing-Blower Used on Type No(s). 0030, 0040, 0102, 0108, 0109, 0111, 0340, 0410, 0412, 1281, 1282.
226	692075	Rod-Hand Choke	276B	690724	Washer-Sealing (Carburetor Plug)	305A	692062	Screw (Blower Housing)
227	690236	Lever-Governor Control	278	842122	Washer (Governor Control Lever)	305B	807163	Screw (Blower Housing)
231	692056	Screw (Choke Valve)	280	691526	Bracket-Rod	308	841232	Cover-Cylinder Head (Used After Code Date 90111600). ----- Note ----- 807656 Cover-Cylinder Head (Cylinder 1)(Black) (Used Before Code Date 90111700). 806546 Cover-Cylinder Head (Cylinder 2)(Black) (Used Before Code Date 98113000). Used on Type No(s). 1219, 1267.
232	692073	Spring-Governor Link	281	690742	Panel-Control	308A	807869	Cover-Cylinder Head (Cylinder 2)(Black) (Used After Code Date 90111600). ----- Note ----- 807657 Cover-Cylinder Head (Cylinder 2)(Black) (Used Before Code Date 90111700). 806544 Cover-Cylinder Head (Cylinder 2)(Black) Used on Type No(s). 1110, 1169, 1196, 1200, 1271.
234	691723	Clip-Control Rod	282	692083	Screw (Control Lever)	308B	841317	Cover-Cylinder Head (Cylinder 1)(Black)
239	690233	Switch-Oil Pressure	287	692062	Screw (Dipstick Tube)	308C	806544	Cover-Cylinder Head (Cylinder 2)(Black)
240	298090s	Filter-Fuel	287A	806660	Screw (Dipstick Tube)			
240A	691035	Filter-Fuel	297A	691331	Nut (Air Filter Retainer)			
240B	808116s	Filter-Fuel	300A	807742	Muffler			
255	●690721	Bushing-Choke Shaft	300B	498984s	Muffler Used on Type No(s). 1271.			
262	692083	Screw (Rod Bracket)	300D	692099	Muffler (Lo Mount)			
265	691024	Clamp-Casing	300E	690906	Muffler (Cylinder 1) (Side Outlet)			
267	692083	Screw (Casing Clamp)	300F	690931	Muffler (Special High Mount)			
268	691025	Casing-Control Wire (Cut To Required Length)	300G	691562	Muffler (Cylinder 2) (Side Outlet)			
269	691026	Wire-Control (Cut To Required Length)	300H	807831	Muffler (Cylinder 1) (Side Outlet) (Starter Motor Side)			
270	691027	Nut (Control Wire Casing)	300K	808379	Muffler (Cylinder 2) (Side Outlet) (Oil Filter Side)			
271	692541	Lever-Control (Cable Wire With "Z" Formed End)	300L	808380	Muffler (Cylinder 1) (Side Outlet) (Starter Motor Side)			
271A	692105	Lever-Control (Cable Wire With "L" Formed End)						
271B	691028	Lever-Control						
273	★690681	Seal-O Ring (Oil Pump)						
276	★△690704	Washer-Sealing (Governor Crank)						

★ Engine Gasket Set-Reference 358A

● Carburetor Overhaul Kit-Reference 121A or 121B

△ Gasket Set-Reference 1095B

294400

REF. NO.	PART NO.	DESCRIPTION	REF. NO.	PART NO.	DESCRIPTION	REF. NO.	PART NO.	DESCRIPTION
308F	841182	Cover-Cylinder Head (Cylinder 2)(Black) Used on Type No(s). 0481, 1222, 1274, 1278.	310C	692329	Screw (Starter Motor) (5-3/8" Long)		792015	Plug-Spark Used on Type No(s). 1018, 1019, 1020, 1025, 1056, 1074, 1122, 1123, 1135, 1146, 1161, 1165, 1169, 1171, 1172, 1175, 1176, 1179, 1187, 1195, 1197, 1200, 1203, 1211, 1219, 1220, 1222, 1223, 1231, 1238, 1241, 1245, 1246, 1247, 1249, 1250, 1252, 1253, 1254, 1255, 1256, 1259, 1263, 1267, 1268, 1269, 1271, 1274, 1278, 1281, 1282.
309	691564	Motor-Starter (Services Aluminum Ring Gear Only)	311	496887	Brush Set			
309A		Motor-Starter (For Replacement Starter Motor, Order Reference 309)	311A	497608	Brush Set			
309B	499521	Motor-Starter (Services Aluminum Ring Gear Only)	311B	490311	Brush Set (4 9/16" Housing Length)			
309C		Motor-Starter (Serviced By 499521 Starter Motor Only)	318	841233	Screw (Mounting Bracket) (Used After Code Date 03120900).			
309D	808817	Motor-Starter Used on Type No(s). 1222, 1223.			----- Note -----			
310	496880	Screw (Starter Motor) (4 1/4" Long)			690932 Screw (Mounting Bracket) Used on Type No(s). 1256, 1259.			
310A	690323	Screw (Starter Motor) (4 7/16" Long)	318B	807163	Screw (Mounting Bracket)	338	★△691312	Gasket-Dipstick
310B	691263	Screw (Starter Motor) (4 13/16" Long)	321	690379	Fan-Booster	346	690661	Screw (Spark Arrestor)
			322	841233	Screw (Cylinder Head Cover) (Used After Code Date 03120900).	347	691995	Switch-Rocker
			322A	692067	Screw (Cylinder Head Cover)	349	690238	Nut (Cylinder Head Cover)
			331	691075	Washer (Booster Fan)	351	692083	Screw (Ground Terminal)
			332	690887	Nut (Flywheel)	355A	690944	Washer (Muffler Bracket)
			333	492341	Armature-Magneto	356	690796	Wire-Stop
			334	692066	Screw (Magneto Armature)	356A	690809	Wire-Stop
			337	491055s	Plug-Spark	356B	692961	Wire-Stop Used on Type No(s). 1256, 1259.
					----- Note -----	356C	807593	Wire-Stop (Cylinder 1) (Used Before Code Date 90120200).
					496018s Plug-Spark Used on Type No(s). 1155.	356D	807594	Wire-Stop (Cylinder 2) (Used Before Code Date 90120200).
						356E	691999	Wire-Stop (Ignition Coil)

★ Included in Engine Gasket Set-Ref. No. 358A.

● Included in Carburetor Overhaul Kit-Ref. No. 121A or 121B.

△ Included in Valve Gasket Set-Ref. No. 1095B.

REF. NO.	PART NO.	DESCRIPTION	REF. NO.	PART NO.	DESCRIPTION	REF. NO.	PART NO.	DESCRIPTION
357	691483	Key-Drive Pulley	439	★692154	Seal-O Ring (Crankcase Cover/Sump) (Used After Code Date 97043000).	474E	696579	Alternator (20 Amp) Used on Type No(s). 1155, 1261.
358A	842722	Gasket Set-Engine (Used After Code Date 01120200). ----- Note ----- 808390 Gasket Set-Engine (Used Before Code Date 01120300).				479	807084	Screw (Oil Pump Screen)
359	691077	Washer (Ground Terminal)				493	691518	Bracket-Mounting
363	19203	Puller-Flywheel	440	690335	Screw (Booster Fan)	493A	691177	Bracket-Mounting (Solenoid)
365	690711	Screw (Carburetor)	440A	690342	Screw (Booster Fan)	493C	691503	Bracket-Mounting
373	691612	Nut (Ground Terminal)	445	394018s	Filter-Air Cleaner Cartridge	500	691086	Washer (Key Switch)
373A	690713	Nut (Ground Terminal)	445A	805113	Filter-Air Cleaner Cartridge	501	691185	Regulator
377	808095	Key-Woodruff	445B	393957s	Filter-Air Cleaner Cartridge	501A	691188	Regulator
383	19374s	Wrench-Spark Plug ----- Note ----- 19576s Wrench-Spark Plug Used on Type No(s). 1176, 1203, 1231, 1269, 1271.	447	841233	Screw (Air Guide Cover)	501B	691573	Regulator Used on Type No(s). 1155, 1261.
385	807084	Screw (Fuel Pump)	450	806497	Washer (Fuel Tank Bracket)	503	691532	Strap-Starter
387	808656	Pump-Fuel	455	691517	Cup-Flywheel (Used After Code Date 93072500). ----- Note ----- 805153 Cup-Flywheel (Used Before Code Date 93072600).	505	690238	Nut (Governor Control Lever)
403	690288	Washer (End Cap)	456	691529	Plate-Pawl Friction	506	690677	Screw (Carburetor Cover)
413	693587	Nut (Starter Motor)	456A	224228	Plate-Pawl Friction	507	691972	Insulator
415	690283	Plug	459	808166	Pawl-Ratchet	507A	281223	Insulator
432	691509	Cap-Spring	459A	492431	Pawl-Ratchet	510	496881	Drive-Starter
436	692061	Manifold-Exhaust (Used With Muffler 807742)	467	691985	Knob-Air Cleaner	510A	696541	Drive-Starter
436A	691499	Manifold-Exhaust (Cylinder 2) (Side Outlet)	467B	691668	Knob-Air Cleaner	510B	696540	Drive-Starter
436B	691501	Manifold-Exhaust (Used With Muffler Supplied By Customer)	468	★690690	Seal-O Ring (Oil Pump Screen)	513	692024	Clutch-Drive
436D	691502	Manifold-Exhaust Used on Type No(s). 1271.	474B	696459	Alternator (Dual Circuit)	515	691528	Spring-Pawl
437	691902	Screw (Exhaust Manifold)	474C	696457	Alternator (5 To 9 Amp Regulated)	520	691084	Terminal-Ground
			474D	696458	Alternator (10-16 Amp Regulated)	520A	809077	Terminal-Ground (Used Before Code Date 90120200).
						523	692100	Dipstick (Standard)
						523A	693175	Dipstick (Special)
						524	△693172	Seal-Dipstick Tube (Used After Code Date 98053100). ----- Note ----- 281370s Seal-Dipstick Tube (Used Before Code Date 98060100).
						525	693174	Tube-Dipstick (Special)

★ Engine Gasket Set-Reference 358A

● Carburetor Overhaul Kit-Reference 121A or 121B

△ Gasket Set-Reference 1095B

294400

REF. NO.	PART NO.	DESCRIPTION	REF. NO.	PART NO.	DESCRIPTION	REF. NO.	PART NO.	DESCRIPTION
525C	690897	Tube-Dipstick (Standard) ----- Note ----- 690907 Tube-Dipstick (Standard) Used on Type No(s). 0445, 1145.	573	841310	Plate-Back ----- Note ----- 693045 Plate-Back Used on Type No(s). 1223. 841127 Plate-Back Used on Type No(s). 1222.	633A	●695414	Seal-Choke/Throttle Shaft
526	692067	Screw (Regulator) (10-16 Amp Regulated)	577	690795	Cable-Starter	633B	806131	Seal-Choke/Throttle Shaft
526A	690717	Screw (Regulator)(5 To 9 Amp Regulated)	578	692306	Wire Assembly	635	692076	Boot-Spark Plug
526B	691547	Screw (Regulator) Used on Type No(s). 1155, 1261.	578A	692319	Wire Assembly	638	690706	Washer (Cylinder Head Cover) ----- Note ----- 691551 Washer (Cylinder Head Cover) (Used Before Code Date 03110100).
527	690423	Clamp-Tube	578B	691377	Wire Assembly	643	692079	Retainer-Air Filter
529	690744	Grommet	596	691492	Screw (Oil Pump)	643A	690447	Retainer-Air Filter
529A	691527	Grommet	597	690876	Screw (Pawl Friction Plate)	643B	691730	Retainer-Air Filter
532	691115	Nut (Mounting Bracket)	597A	94463	Screw (Pawl Friction Plate)	650	692539	Screw (Oil Deflector)
544		Armature-Starter (Service With 691564 Starter Motor Only)	598	807625	Shim-End Play (Crankshaft or Camshaft Bearing)	663	692083	Screw (Control Panel)
544B		Armature-Starter (Serviced By 499521 Starter Motor Only)	601	691038	Clamp-Hose	664	691087	Nut (Key Switch)
544C	490309	Armature-Starter (4 3/8" Housing Length)	601A	805813	Clamp-Hose	668A	691500	Spacer
552	690701	Bushing-Governor Crank (Output End)	601B	791850	Clamp-Hose	674	692056	Screw (Fuel Tank Bracket)(M8 X 14)
552A	806686	Bushing-Governor Crank (Flanged)	601C	691522	Clamp-Hose	674A	94536	Screw (Fuel Tank Bracket)
555	692067	Screw (Starter Solenoid)	608	692102	Starter-Rewind (Used After Code Date 93072500).	674B	692062	Screw (Fuel Tank Bracket)(M8 X 18)
561	690713	Nut (Control Lever)	608A	808152	Starter-Rewind (Used Before Code Date 93072600).	676	393761	Deflector-Muffler (Side Out)
562	690239	Bolt (Governor Control Lever)	613A	692067	Screw (Muffler)	676A	397630	Deflector-Muffler (Louvered)
565	690682	Stud (Oil Filter Adapter)	615B	691550	Retainer-Governor Shaft	676B	396903	Deflector-Muffler (Direct Out)
572	690686	Baffle-Breather	616	806685	Crank-Governor (Used After Code Date 99072000).	676C	495518	Deflector-Muffler (90 Degree Outlet)
			616A	690899	Crank-Governor (Used Before Code Date 99072100).	676E	808393	Deflector-Muffler
			620	494052	Panel-Speed Control	677	810079	Screw (Muffler Deflector)
			628	806660	Screw (Fuel Pump Bracket)	677A	690688	Screw (Muffler Deflector)
			629	806717	Spring-Throttle Return	677B	690661	Screw (Muffler Deflector)
			629A	806716	Spring-Throttle Return	681	808798	Kit-Needle/Seat Used on Type No(s). 1219, 1278.
			629B	692088	Spring-Throttle Return			
			633	●690722	Seal-Choke/Throttle Shaft			

★ Included in Engine Gasket Set-Ref. No. 358A.

△ Included in Valve Gasket Set-Ref. No. 1095B.

● Included in Carburetor Overhaul Kit-Ref. No. 121A or 121B.

REF. NO.	PART NO.	DESCRIPTION	REF. NO.	PART NO.	DESCRIPTION	REF. NO.	PART NO.	DESCRIPTION
683	691029	Nut (Starter Solenoid)	788	691559	Bracket-Fuel Pump	830	809157	Stud-Rocker Arm (Used After Code Date 96033100).
689	691272	Spring-Friction	789	691996	Harness-Wiring ----- Note -----	830A	691497	Stud-Rocker Arm (Used Before Code Date 96040100).
689A	262564	Spring-Friction		841318	Harness-Wiring	832	691571	Guard-Muffler
691	★690680	Seal-Governor Shaft			Used on Type No(s). 1222, 1223.	833A	690872	Screw (Air Cleaner Mounting Strap/Stud)
697	692062	Screw (Drive Cap)	797	691029	Nut (Brush Retainer)	833B	691593	Screw (Air Cleaner Mounting Strap/Stud)
703	94484	Clip	797A	693167	Nut (Brush Retainer)	836	691514	Screw (Muffler Guard)
706	805484	Washer (Breather Assembly) (Used Before Code Date 90111500).	801	808778	Cap-Drive	836A	692067	Screw (Muffler Guard)
710	807689	Cover-Oil Filter	801B	691283	Cap-Drive	837	808085	Spacer-Muffler (Includes 2)
718	806469	Pin-Locating	802	496813	Cap-End	840	842828	Kit-Panel (Used After Code Date 06011800)
718A	805102	Pin-Locating (Used Before Code Date 90091100).	802A	691286	Cap-End			----- Note -----
718B	690740	Pin-Locating	803	690854	Housing-Starter ----- Note -----			692096 Kit-Panel (Used Before Code Date 06011900)
725	280866	Shield-Heat		820783	Housing-Starter Used on Type No(s). 1222, 1223.			
725A	805702	Shield-Heat	803A	693547	Housing-Starter			
725B	691498	Shield-Heat	803B		Housing-Starter (Served By 499521 Starter Motor Only)			
726		Gear-Ring (Steel)(See Reference 23 for Service)	803C	494205	Housing-Starter (4 3/8" Housing Length)			
727	841313	Cover-Starter Drive (Black)			----- Note -----			
728	691514	Screw (Heat Shield)			398892 Housing- Starter (4 9/16" Housing Length)			
728A	692067	Screw (Heat Shield)	807	●805557	Spacer-Throttle			
728B	805704	Screw (Heat Shield)	812	Δ692055	Nut (Rocker Cover) (Used Before Code Date 01120300).			
729	690586	Clip-Wire	813	690635	Clamp			
732	690688	Screw (Starter Drive Cover)	816	690706	Washer (Oil Filter Adapter)			
732A	841233	Screw (Starter Drive Cover) (Used After Code Date 03120900).	819	692056	Screw (Muffler Bracket) (14 mm Long) ----- Note -----			
737	690679	Screw (Oil Filter Adapter)		692067	Screw (Muffler Bracket) (Remote Lo Tone)			
741	691530	Gear-Timing	819A	690943	Screw (Muffler Bracket) (16 mm Long)			
763	808190	Kit-Starter (For 12 Volt Gear Drive)						
773	690875	Retainer						
774	692067	Screw (Stop Wire)						
783	695708	Gear-Pinion (For Aluminum Ring Gear Only)						

★ Engine Gasket Set-Reference 358A

● Carburetor Overhaul Kit-Reference 121A or 121B

Δ Gasket Set-Reference 1095B

294400

REF. NO.	PART NO.	DESCRIPTION	REF. NO.	PART NO.	DESCRIPTION	REF. NO.	PART NO.	DESCRIPTION
842	★690611	Seal-O Ring (Dipstick Tube)	879	842829	Cover-Carburetor (Used After Code Date 06011900)	955A	807723	Plug-Carburetor (Jet)
843	691322	Sleeve-Lever			----- Note -----	957	491367s	Cap-Fuel Tank (Plastic)
849	691088	Screw (Stub Shaft)			690757 Cover-Carburetor (Used Before Code Date 06011800)	957A	493988s	Cap-Fuel Tank (Plastic)
851	493880s	Terminal-Spark Plug			841130 Cover-Carburetor Used on Type No(s). 1277.	958	698182	Valve-Fuel Shut Off (Plastic)
862	692153	Strap/Stud-Air Cleaner Mounting				958A	698183	Valve-Fuel Shut Off (Plastic)
862C	807563	Strap/Stud-Air Cleaner Mounting				958B	692008	Valve-Fuel Shut Off (Plastic)
862D	691565	Strap/Stud-Air Cleaner Mounting	882	692074	Flange-Exhaust	967A	272490s	Filter-Pre Cleaner
863	691513	Bracket-Muffler (Cylinder 2) (Side Outlet)	883	★△691613	Gasket-Exhaust	967B	805267s	Filter-Pre Cleaner
863A	690756	Bracket-Muffler (Cylinder 1) (Side Outlet)	884	690898	Clamp-Muffler	967C	271794s	Filter-Pre Cleaner
865	841312	Cover-Air Guide (Black)	884A	691956	Clamp-Muffler	968A	699959	Cover-Air Cleaner
865A	841319	Cover-Air Guide (Black)	892	692318	Switch-Key	968B	690694	Cover-Air Cleaner
		----- Note -----	896	691641	Pin-Drive Retainer	968C	691910	Cover-Air Cleaner
		690908 Cover-Air Guide (Black) Used on Type No(s). 0445, 1145.	899	691077	Washer (Starter Solenoid)	968D	691755	Cover-Air Cleaner
868	★△691963	Seal-Valve	918	393815	Hose-Vacuum (Rocker Cover To Impulse Pump)(Cut To Required Length)	968E	691334	Cover-Air Cleaner
871	692057	Bushing-Valve Guide	920	691656	Solenoid-Starter ----- Note -----	971A	692537	Screw (Air Cleaner Base to Carburetor)
875	690894	Base-Air Cleaner (Plastic)			825418 Solenoid- Starter Used on Type No(s). 1223.	971B	690699	Screw (Air Cleaner Base to Carburetor)
876	696539	Kit-Pinion Spring	927	691116	Screw (Electronic Governor Module)	972	492369	Tank-Fuel (Plastic)
877	393456	Wire/Connector- Alternator (White Dual Plug)	947A	692094	Solenoid-Fuel	972A	690663	Tank-Fuel (Plastic)
877B	393537	Wire/Connector- Alternator (Green)(Single Plug)				988	★692063	Gasket-Oil Adapter
877C	399916	Wire/Connector- Alternator				988A	690687	Gasket-Oil Adapter
877D	698092	Wire/Connector- Alternator				990	691959	Key Set
878	398661	Harness-Alternator				994	392390	Arrestor-Spark ----- Note -----
878A	691955	Harness-Alternator						808361 Arrestor- Spark Used on Type No(s). 1267.
878B	691362	Harness-Alternator Used on Type No(s). 1155, 1261. (Single Lead)				996	691577	Shield-Carburetor
						996C	690696	Shield-Carburetor
						1004	690743	Duct-Air
						1004B	692538	Duct-Air (Used With Plastic Air Cleaner Base)
						1009	806474	Screw (Starter Motor)

★ Included in Engine Gasket Set-Ref. No. 358A.

● Included in Carburetor Overhaul Kit-Ref. No. 121A or 121B.

△ Included in Valve Gasket Set-Ref. No. 1095B.

REF. NO.	PART NO.	DESCRIPTION	REF. NO.	PART NO.	DESCRIPTION	REF. NO.	PART NO.	DESCRIPTION
1012	690592	Retainer-Link	1036		Label-Emissions (Available from an Authorized Briggs & Stratton Service Dealer)	1135	806497	Washer (Crankcase Cover/Sump)
1017	690900	Screen-Oil Pump				1148	94504	Screw (Clip)(Side Out)
1022*	806039s	Gasket-Rocker Cover	1038	492374	Rod-Fuel Shut Off	1176	842067	Nut (Exhaust Manifold)
1023	690758	Cover-Rocker (Used After Code Date 98053100).	1038A	691567	Rod-Fuel Shut Off			Used on Type No(s). 1281, 1282.
1023B	691494	Cover-Rocker (Used Before Code Date 98060100).	1044	692056	Screw (Flywheel)	1254	807084	Screw (Rocker Cover Stud)(Used on Stud For Rocker Cover) (Used After Code Date 01120200).
1023C	690910	Cover-Rocker (Cylinder 1) (With Fuel Pump) (Used After Code Date 98053100).	1046	692082	Plug-Blower Housing	1330	272144	Repair Manual
1023D	691558	Cover-Rocker (Used On Cylinder 1 Fuel Pump Applications) (Used Before Code Date 98060100).	1047	841580	Shaft-Stub	1344	841129	Cable-Choke Used on Type No(s). 1277.
1023E	691531	Cover-Rocker (Used On Engines Equipped With 9 Quart Fuel Tanks)	1048	690669	Module-Electronic Governor			
1024	693185	Pump-Oil	1051	691124	Ring-Retaining			
1025	690689	Spool-Governor	1051A	691265	Ring-Retaining			
1026	691836	Rod-Push (Intake)(Steel) ----- Note -----	1054	280275	Tie-Cable			
		691758 Rod-Push (Exhaust)(Aluminum)	1058	276343	Operator's Manual			
1027	842921	Filter-Oil (2 1/4" Long) (Used After Code Date 95020500). ----- Note -----	1059	698516	Kit-Screw/Washer			
		491056 Filter-Oil (3 1/4" Long) (Used Before Code Date 95020600).	1083	691626	Nut (End Cap)			
1028	808033	Adapter-Oil Filter (Horizontal Mounted Oil Filter) ----- Note -----	1083A	690958	Nut (End Cap)			
		808235 Adapter-Oil Filter	1090	691293	Retainer-Brush ----- Note -----			
1029	807323	Arm-Rocker			825412 Retainer- Brush Used on Type No(s). 1222, 1223.			
1030	691496	Support-Rocker Arm	1091	691516	Cap-Limiter			
1031	690693	Shaft-Rocker Arm	1095B	842723	Gasket Set-Valve (Used After Code Date 01120200). ----- Note -----			
					808392 Gasket Set-Valve (Used Before Code Date 01120300).			
			1100	791959	Pivot-Rocker Arm			
			1119	691552	Screw (Alternator)			
			1122	93410	Screw (Blower Housing Adapter)			
			1133	690342	Screw (Crankshaft)			
			1134	94464	Washer (Pawl Friction Plate)			
			1134A	94462	Washer (Pawl Friction Plate)			

* Engine Gasket Set-Reference 358A

● Carburetor Overhaul Kit-Reference 121A or 121B

△ Gasket Set-Reference 1095B